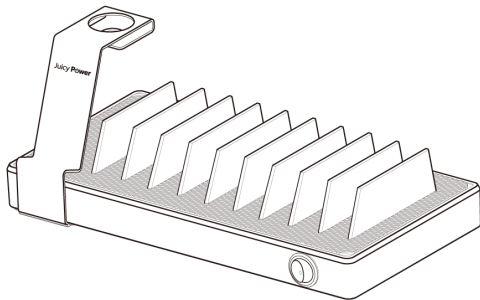




# 10-Port USB & TYPE-C Charging Station with Apple Watch Stand

## User Reference Guide



## Key Features & Benefits

---

- Power and charge up to 9 USB ports and 1 USB Type-C port powered devices simultaneously
- USB Type-C port meets USB-C standards allowing fast charging up to 5V/3A
- USB charging port integrated with auto detection smart IC for maximum charging efficiency
- 2.4A (max) power output supplied USB port for rapid charging of iPhones, iPads, smartphones, tablets and other compatible USB powered devices
- 9 individual open slots fit and hold most tablets or smartphones, ideal as a space-saving charging solution
- Apple Watch Stand - The watch stand is designed to seamlessly accommodate the Apple Watch charging cable
- Includes 90W high performance power adapter with Over-Current, Over-Voltage, Over-Charge, Short-Circuit safety protections to safeguard all of your connected devices

## Specifications

---

Input	AC 100-240V, 50/60Hz
Output	DC 19V/4.73A, 89.87W
Total Charging Output	DC 5V/18A (Max.)
USB Port Output	DC 5V/2.4A (Max.)
USB Type-C Port Output	DC 5V/3A (Max.)
Dimensions	10.78" (W) x 5.43" (H) x 4.33" (D)
Weight	1.4 lbs
Operating Temperature	32 to 104 degrees F
Storage Temperature	14 to 122 degrees F

## Package Contents

---

- *10-Port USB & TYPE-C Charging Station with Apple Watch Stand*
- Apple Watch Stand
- AC Power Adapter
- User Reference Guide

## Product Layout

---

Apple Watch Stand

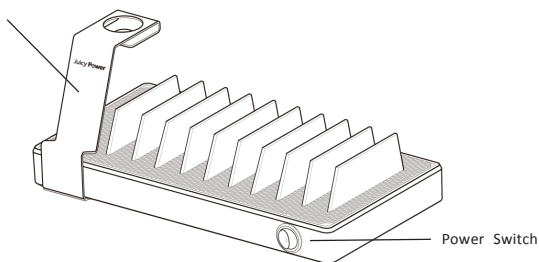


Figure 1: 10-Port USB & TYPE-C Charging Station with Apple Watch Stand

- **Apple Watch Stand (removable):** Holds your Apple Watch and its charger while charging (optional)
- **Power Switch:** Turns on / off the charging station

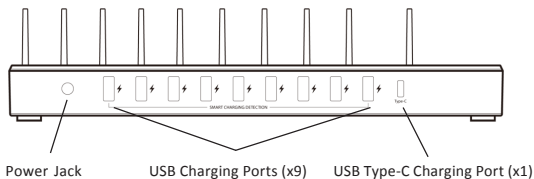


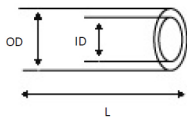
Figure 2: Rear side


- **Power Jack:** Plug the included AC Power Adapter here

- **USB Charging Ports (x9):** Connect to charge your smartphones, tablets and other USB-powered devices
- **USB Type-C Charging Port (x1):** Connect to charge your USB-C devices

## Power Jack

Refer to below table for the specifications of the power jack.



Outside diameter (OD)	Inside diameter (ID)	Plug length (L)	Negative / Positive
5.5(mm)	2.5(mm)	10(mm)	 *Center pin for positive voltage and the outer shield for negative voltage

**Table 1: Power Jack Specifications**



Figure 2: Power supply & AC power cord

## Installation

1. Insert the AC power cord into the power supply.
2. Insert the power supply's plug into the charging station's power jack.
3. Plug the power supply into a reliable 100V-240V wall outlet.
4. Press the **Power Switch** to power on the charging station and verify the blue LED is lit.
5. Plug in your devices with their USB charging cables.  
**Note:** USB charging cables are not included.

## **FAQ & Solutions**

If the charging station isn't functioning properly:

- Make sure the charging station is plugged into a functioning wall outlet
- Make sure the power supply's green LED is lit to ensure it's receiving power
- Firmly insert the USB charging cable into both the charging station and your USB device
- Keep the total wattage for all connected USB devices under 90W
- Check the power switch LED to make sure it's lit

## **Safety Notice**

- Check that the wall outlet you are using is within the AC 100V - 240V range
- Do not place the charging station on heated seats or against other heated sources
- Do not attempt to replace any part of the charging station on your own
- Do not expose the charging station to liquids or excessive heat
- Do not use any corrosive cleaning substances with the charging station
- Keep out of reach of children

## **Warranty Statement**

---

This warranty covers the original purchaser and guarantees that the product be free of any defects in materials or workmanship for one (1) year from the date of product purchase.

## **Copyright Statement**

---

10-Port USB & TYPE-C Charging Station with Apple Watch Stand is a trademark of AVLT-Power Inc. All other trademarks are the property of their respective owners.

## **Lot Number**

---

Please keep this LOT number for future product return, warranty or exchange.

Lot Number

Part Number